



Tree Gratings

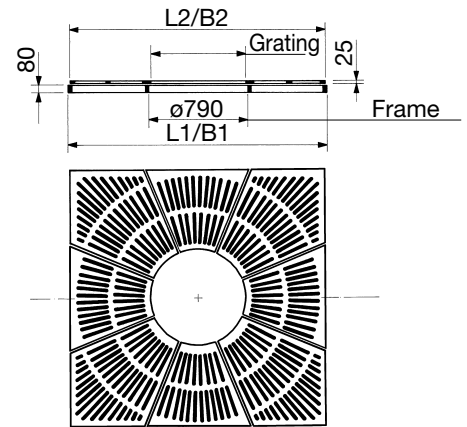


Subject to change without notice

phone +41 (0) 62 388 11 11, fax +41 (0) 62 388 14 40, www.vonroll-hydro.ch, info@vonroll-hydro.ch

Figure 5550
Tree grating

4 t wheel loading
 can also be walked on when not screwed together
 welded steel frame, hot-dip galvanised, in 2 parts
 grating in spheroidal cast iron, in 8 sections
 model 200 is rattle free
 gratings overlap

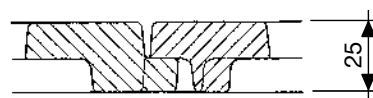
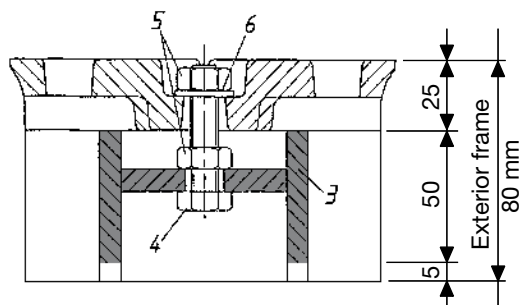


| Type | Frame | | Grating | |
|------------|----------|----------|----------|----------|
| | L1 mm | B1 mm | L2 mm | B2 mm |
| 153 | 1530 | 1530 | 1500 | 1500 |
| 200 | 1930 | 1930 | 1900 | 1900 |

| Type | Weights in kg | Corner element | Central element | Frame | Total | Model |
|------------|---------------|----------------|-----------------|-------|-------|-----------|
| 153 | | 4 x 24 | 4 x 17 | 74 | 238 | 02 |
| 200 | | 4 x 45.5 | 4 x 31 | 100 | 406 | 02 |

Model definition: 02 Without concrete base, with screw lock

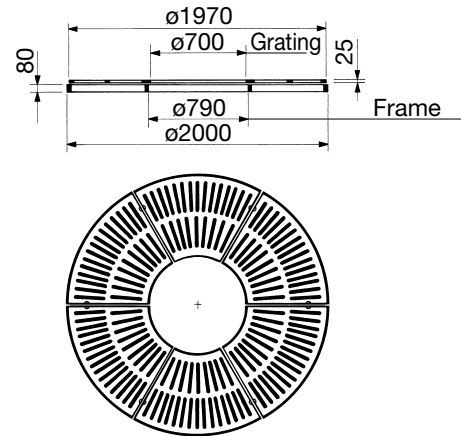
- Accessories:
- Fig. 3220; Locking key
 - For model 200: screw material in V4A stainless steel:
 - 3: welded frame, galvanised
 - 4: M10x45 screws; 5: M10 nuts; 6: washers



Gratings overlap

Figure 5560
Tree grating

4 t wheel loading
 can also be walked on when not screwed together
 welded steel frame, hot-dip galvanised, in 2 parts
 grating in spheroidal cast iron, in 6 sections
 rattle free
 gratings overlap

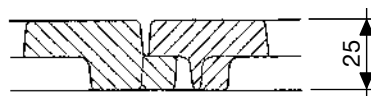
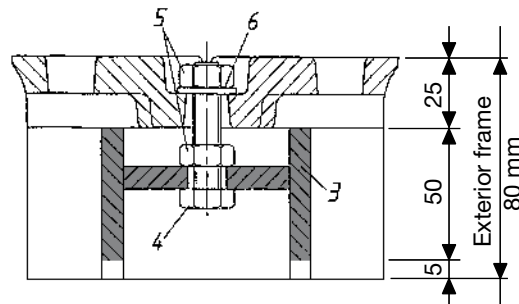


| Type | Weights in kg total | Weight grating | Weight frame | Model |
|------|---------------------|----------------|--------------|-------|
| 200 | 276 | 6 x 32 | 84 | 02 |

Model definition: 02 Without concrete base, with screw lock

Notes: – die Roste werden mit Rahmen verschraubt, um ein Klappern zu verhindern

Accessories: – Screw material in V4A stainless steel:
 3: welded frame, galvanised
 4: M10x45 screws; 5: M10 nuts; 6: washers



Gratings overlap