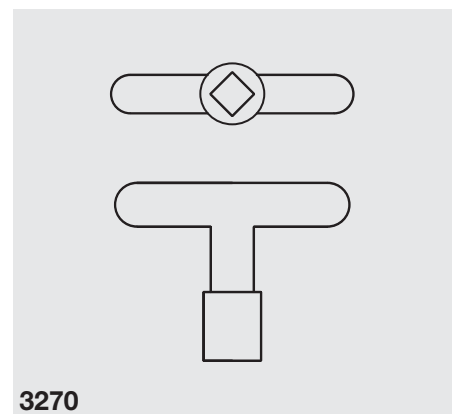
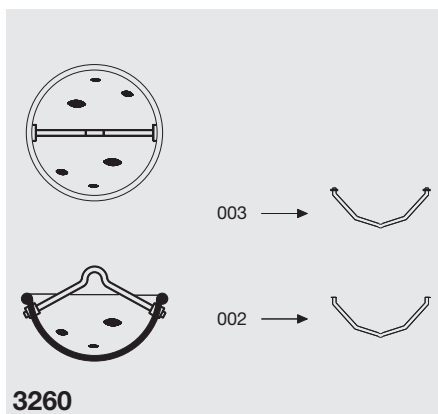
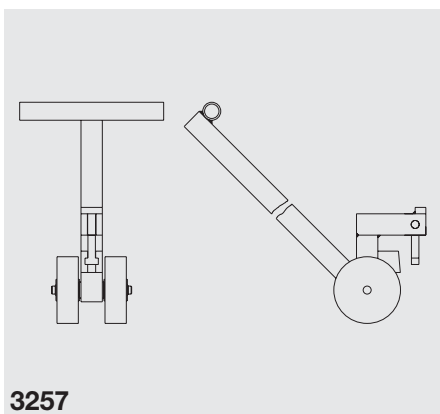
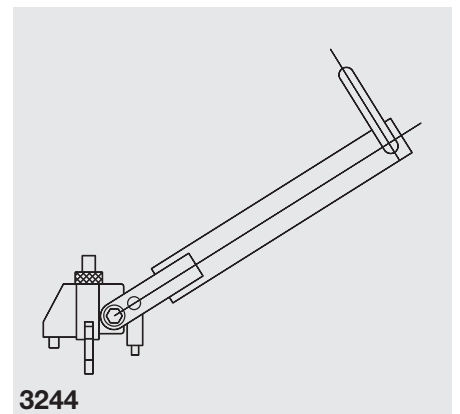
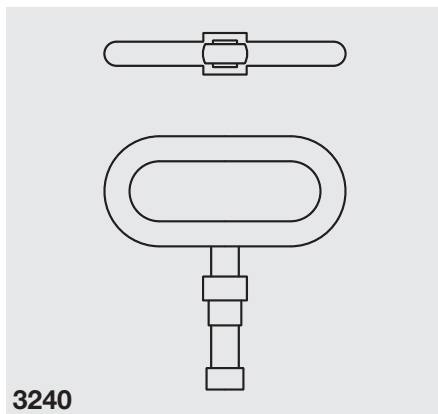
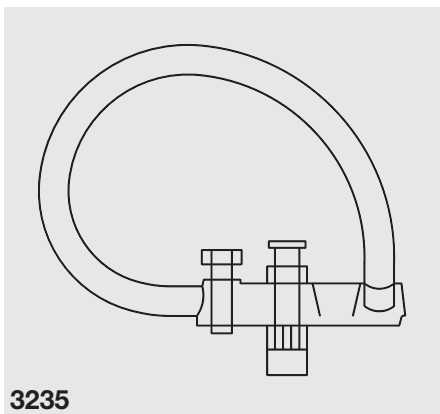
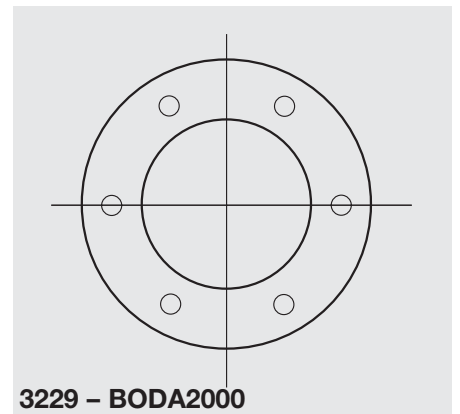
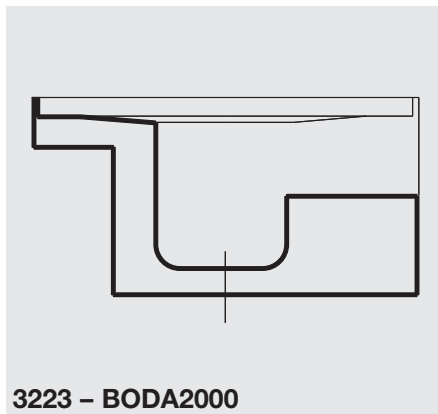
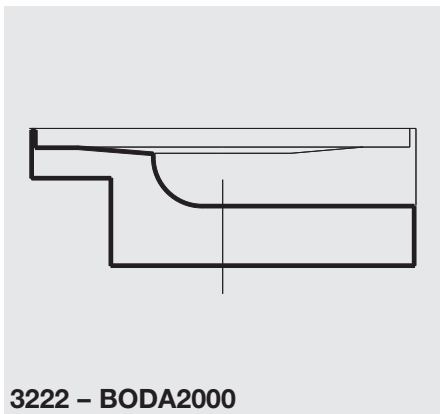
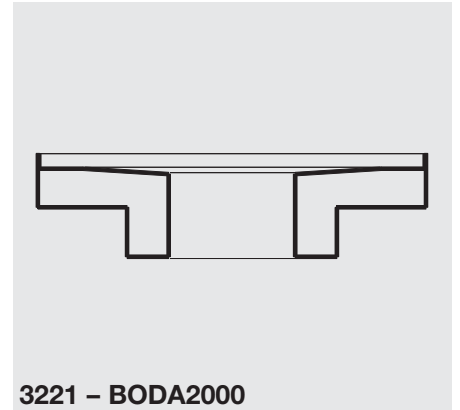
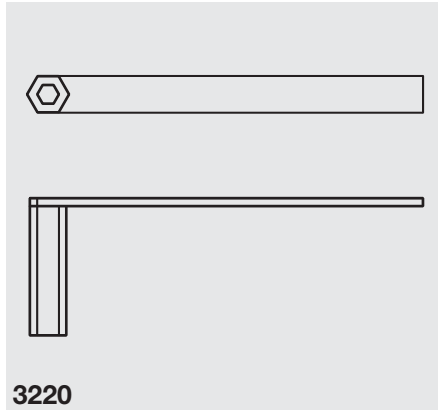
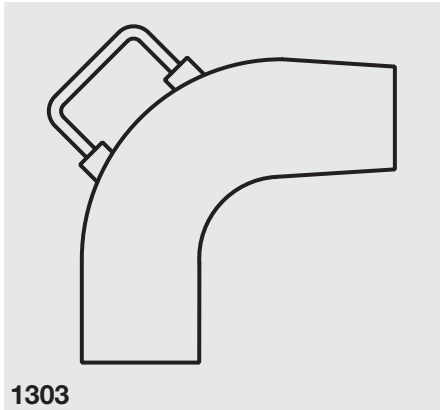




Accessories

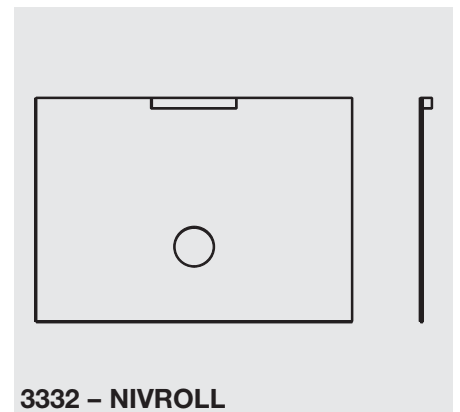
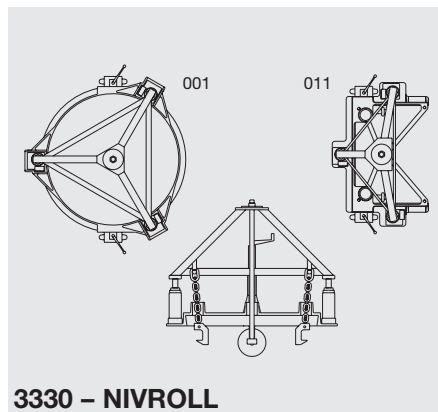
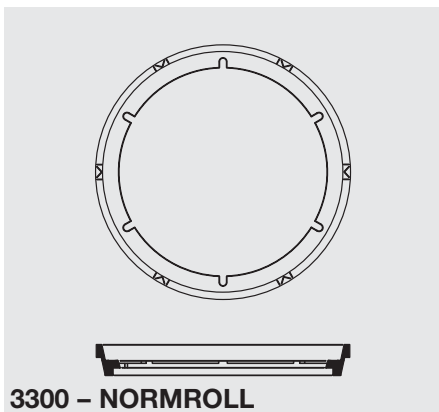
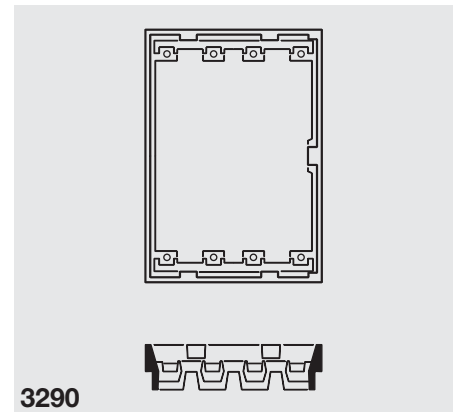
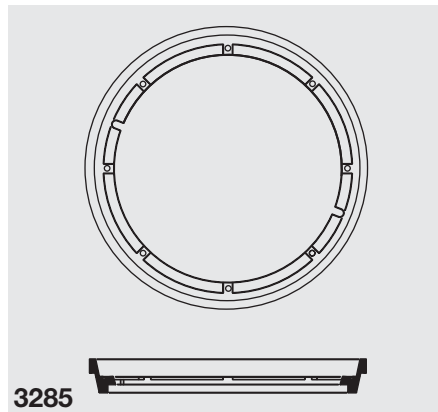
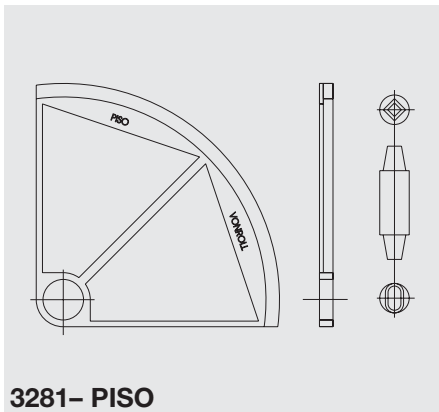
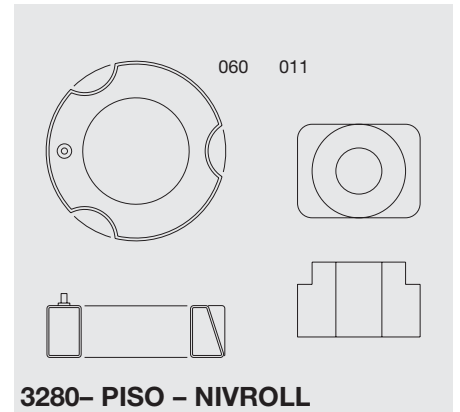
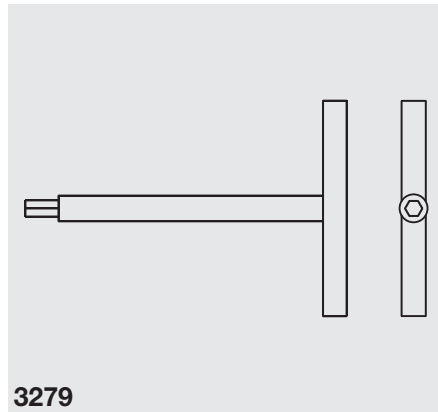
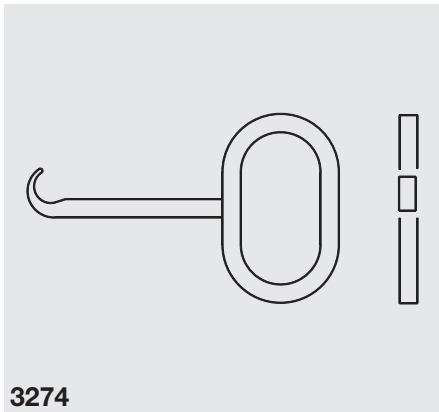
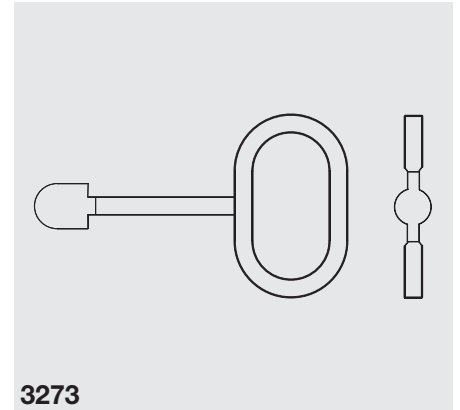
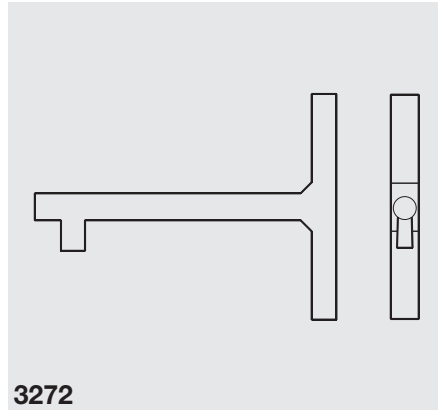
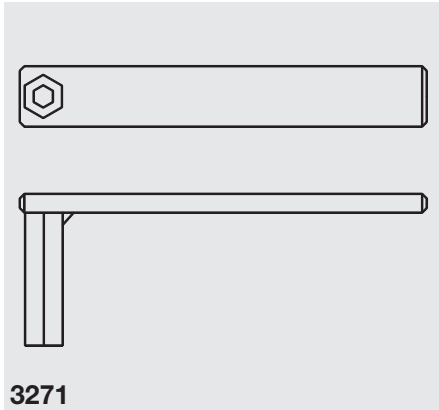
Table of contents	page
Product overview	7/3
Products	7/7
Tools and appliances	7/20

Overview



Subject to change without notice

Overview



Subject to change without notice

Overview

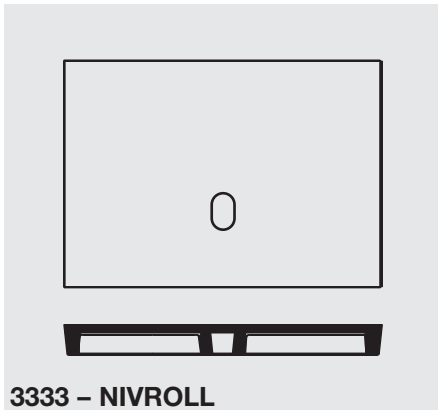
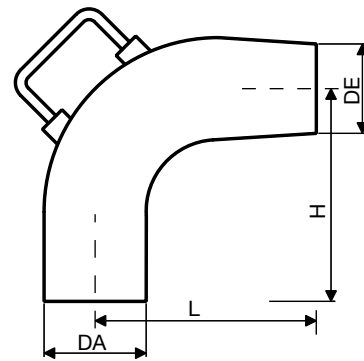


Figure 1303
Immersed bend



Type	DN mm	DE mm	DA mm	L mm	H mm
008	100	80	93	230	240
010	120	100	110	270	250
012	150	128	144	285	265
018	200	170	185	315	275

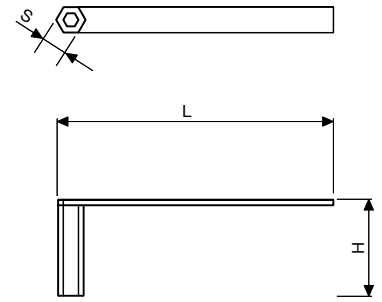
Type	Weight kg	Model
008	6.2	00
010	8	00
012	11.9	00
018	18	00

Model definition: 00 Grey cast iron as standard

Notes: - Suitable for dirt traps and outlets

Figure 3220
Locking key

for outlets
key for internal and external hexagonal sockets,
for cleaning covers and backflow lock inserts

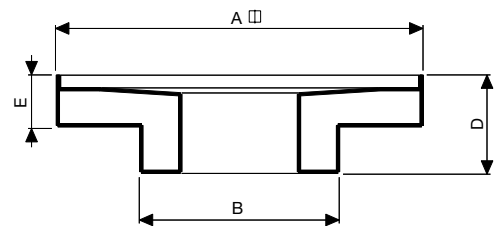


Type	S	L	H	Weight	Model
		mm	mm	kg	
001	17 or 22	276	153	0.35	00

- Notes:
- Suitable for floor outlets
Fig. 1700, 1701, 1705, 1706, 1784, 1785, 1791, 1792, 1793, 1794, 1799, 1801, 1802

Figure 3221
Insulating body BODA 2000

for vertical inlets and outlets
insulation element made of polyurethane foam
(PUR) for BODA 2000, for protection against
condensation

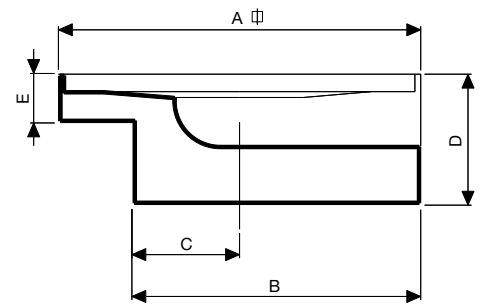


Type	DN	A	B	D	E	Weight	Model
	mm	mm	mm	mm	mm	kg	
008	80	480	280	150	70	1.6	00
010	100	480	280	150	70	1.6	00

- Notes:
- Suitable for BODA 2000, fig. 1570, 1580, 1670
 - Can be used as permanent formwork when performing concreting work

Figure 3222
Insulating body BODA 2000

for horizontal inlets
insulation element made of polyurethane foam (PUR) for BODA 2000, for protection against condensation

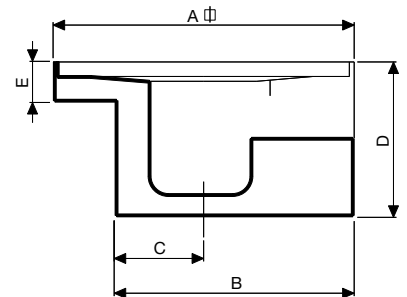


Type	DN mm	A mm	B mm	C mm	D m	E mm	Weight kg	Model
006	60	410	310	120	150	60	1.3	00
008	80	480	380	140	180	70	2	00
010	100	480	380	140	180	70	2	00

- Notes:
- Suitable for BODA 2000, fig. 1571, 1581
 - Can be used as permanent formwork when performing concreting work

Figure 3223
Insulating body BODA 2000

for horizontal inlets
insulation element made of polyurethane foam (PUR) for BODA 2000, for protection against condensation

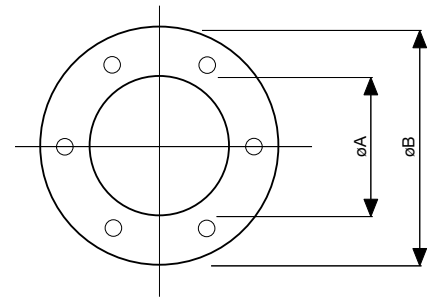


Type	DN mm	A mm	B mm	C mm	D mm	E mm	Weight kg	Model
008	80	480	380	140	230	70	2.2	00
010	100	480	380	140	230	70	2.2	00

- Notes:
- Suitable for BODA 2000, fig. 1671
 - Can be used as permanent formwork when performing concreting work

Figure 3229
Press seal BODA 2000

for inlets and outlets with cup rim
press seal in NBR, mountable on top of or under
sealing foil, suitable for cups and connecting
flanges

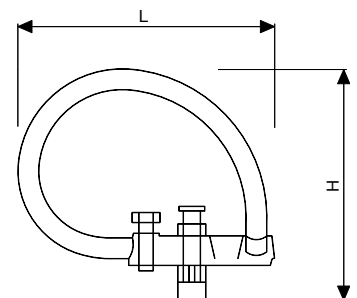


Type	DN mm	A mm	B mm	Thickness mm	Weight kg	Model
006	60	195	310	0.30	0.3	00
008	80	240	360	0.40	0.4	00
010	100	240	360	0.40	0.4	00

- Notes:
- Suitable for BODA 2000
figs. 1570, 1571, 1580, 1581, 1670, 1671, 1672
 - 2 pieces per connection

Figure 3235
Key for lifting with lifting screw

for ROLLMATIC covers
for manhole covers
for gratings

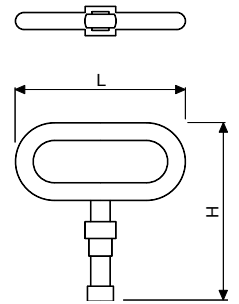


Type	L mm	H mm	Weight kg	Model
001	215	190	1	00

- Notes:
- Fixing the key: the lifting screw is entered into the keyhole of the cover, secured with a quarter turn and made immovable by tightening the nut
 - Lifting the cover: The cover can be released by tightening up the lifting screw and be pulled over the front edge of the frame using the hand grip
 - Suitable for:
 - ROLLMATIC covers Fig. 2521, 2523, 2525, 2531, 2533, 2535
 - Full cast iron cover Fig. 2616, 2617, 2618, 2619, 2632, 2633
 - Cast iron/concrete covers Fig. 2716, 2717, 2718, 2719, 2730, 2732, 2733
- Accessory:
- Open-ended spanner 19/22

Figure 3240
Key for lifting

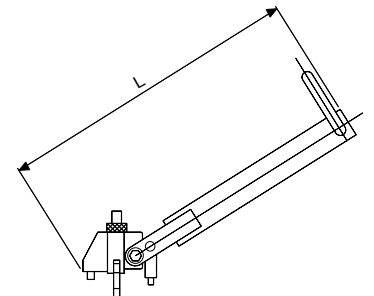
for manhole covers and gratings
with keyholes



Type	L	H	Weight	Model
	mm	mm	kg	
001	132	147	0.3	00

- Notes:
- Auxiliary key for carrying covers, with a safety catch
 - Suitable for:
 - Stepped covers Fig. 2005, 2020
 - Surface covers Fig. 2210, 2310
 - ROLLMATIC covers Fig. 2521, 2523, 2525, 2531, 2533, 2535
 - Full cast iron covers Fig. 2616, 2617, 2618, 2619, 2632, 2633
 - Cast iron/concrete covers Fig. 2716, 2717, 2718, 2719, 2730, 2732, 2733
 - Road gratings Fig. 2960 (OFFROLL)

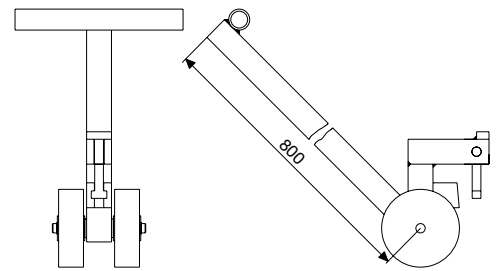
Figure 3244
ROLLMATIC lifting device



Type	L	Weight	Model
	mm	kg	
001	875	4.6	00

- Notes:
- Suitable for:
 - ROLLMATIC covers, figs. 2521, 2523, 2525, 2533, 2535

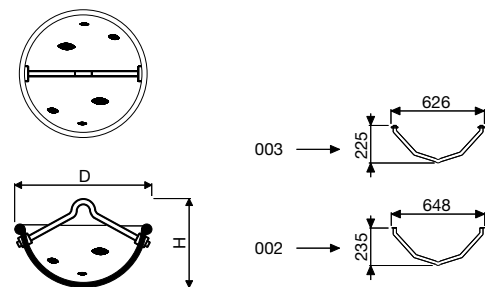
Figure 3257
ROLLTRANSIT lifting device
 for ROLLTRANSIT manhole covers



Type	Weight kg	Model
001	9	00

- Notes:
- Suitable for manhole covers, figs. 2657, 2658, 2757
 - Also suitable for all VSS standard covers
 - Can be shortened by 500 mm for transportation

Figure 3260
Dirt trap
 for manhole covers
 dirt trap and handle made of hard Anticorodal,
 with hot-dip-galvanised yoke

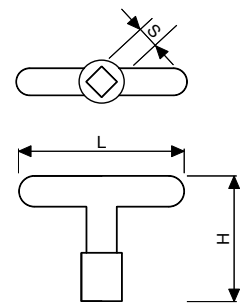


Type	D mm	H mm	Weight kg	Model
002	470	235	1.8	00
003	470	235	1.8	00

- Notes:
- Suitable for manhole covers
 - Type 002: Fig. 2618, 2619, 2647, 2651, 2697, 2718, 2719 and 2751
 - Type 003: Fig. 2704

Figure 3270
Locking key

for manhole covers
key with inner square drive
model 001 in cast iron
model 002 in steel

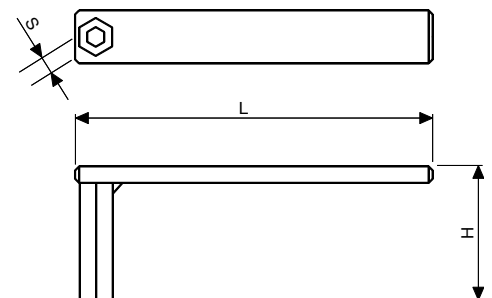


Type	S mm	L mm	H mm	Weight kg	Model
001	13	110	78	0.36	00
002	13	200	421	0.9	00

- Notes:
- Suitable for:
 - Stepped covers Fig. 2006, 2007
 - Full cast iron covers Fig. 2562, 2563, 2582, 2583, 2612, 2613, 2615, 2660, 2661, 2668, 2670, 2671
 - Cast iron/
concrete covers Fig. 2703, 2704

Figure 3271
Locking key

for manhole covers
for gratings

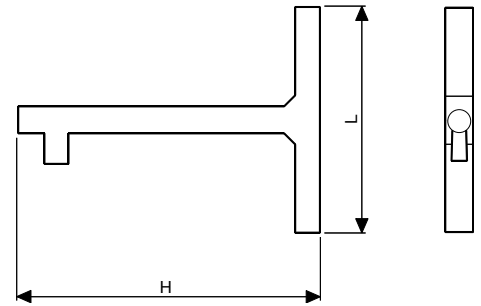


Type	S mm	L mm	H mm	Weight kg	Model
001	19	240	68	0.55	00
002	24	240	68	0.57	00

- Notes:
- Suitable for:
 - Type 001 manhole covers: Fig. 2642, 2648, 2681
 - Type 001 gratings: Fig. 2913 and 2915

Figure 3272
Locking key

for manhole covers
for gratings



Type	L mm	H mm	Weight kg	Model
001	100	134	0.25	00

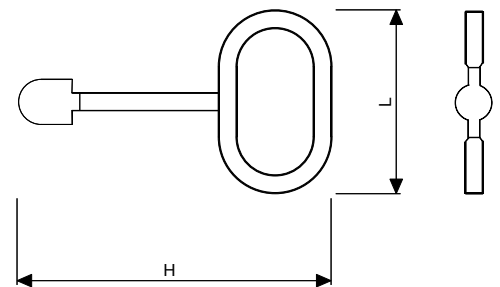
Notes:

- Suitable for:
 - Full cast iron covers Models up to 2007
Fig. 2558, 2559, 2560, 2561, 2562, 2563, 2578, 2579, 2580, 2581, 2582, 2583, 2608, 2609, 2610, 2611, 2612, 2613, 2620
 - Perforated gratings Fig. 2801, 2803, 2805, 2813, 2815

Figure 3273

Key for lifting

for manhole covers
for gratings



Type	L mm	H mm	Weight kg	Model
001	135	160	0.36	00

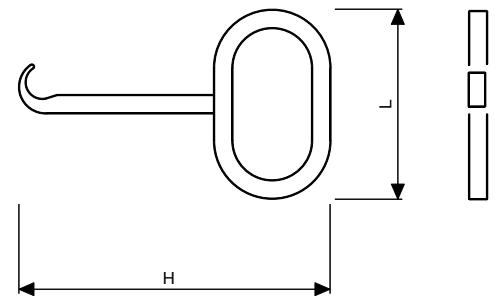
Notes:

- Suitable for:
 - Full cast iron covers Fig. 2560, 2561, 2580, 2581, 2631
 - Perforated gratings Fig. 2801, 2803, 2805, 2815 (old version with keyhole)

Figure 3274

Hook for lifting

for manhole covers with lifting recesses



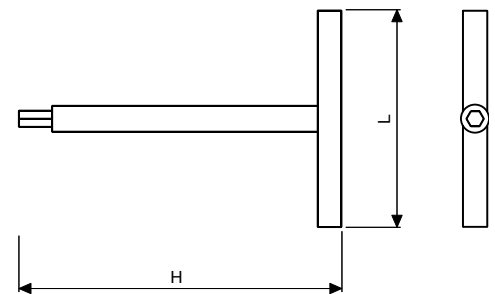
Type	L mm	H mm	Weight kg	Model
001	135	190	0.39	00

- Notes:
- Suitable for:
 - Full cast iron covers Fig. 2620, 2621, 2634, 2650, 2651
 - Cast iron/concrete covers Fig. 2729, 2734, 2750, 2751
 - Stepped covers Fig. 2006, 2007

Figure 3279

PISO adjustment key

for manhole covers
for gratings

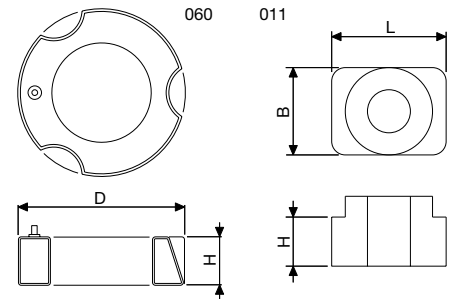


Type	Hexagonal key mm	L mm	H mm	Weight kg	Model
001	14	400	600	1.3	00

- Notes:
- Special key for levelling screws in PISO manhole covers and road gratings
 - Suitable for:
 - Full cast iron covers Fig. 2617, 2619
 - Cast iron/concrete covers Fig. 2717, 2719
 - Gratings Fig. 2917, 2937, 2938, 2939, 2943, 2946

Figure 3280
PISO and NIVROLL tube shuttering

for manhole covers
for gratings

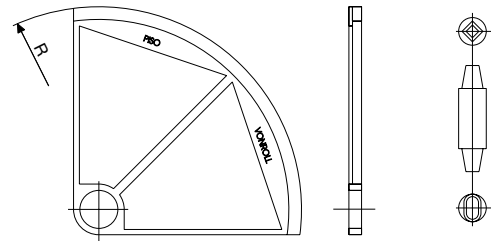


Type	L	B	D	H	Weight	Model
	mm	mm	mm	mm	kg	
011	430	330	0	180	6	00
060	0	0	600	120	8	00

- Notes:
- Inflatable shuttering for use when pouring mortar between the concrete base and the cast iron frame for PISO and NIVROLL manhole covers
 - Suitable for:
Type 060 cover: Fig. 2617, 2619, 2632, 2633, 2717, 2719, 2732, 2733, 2917
Type 011 grating: Fig. 2932, 2933, 2934, 2937, 2938, 2939, 2943, 2944, 2947

Figure 3281
PISO punch guide

for manhole covers



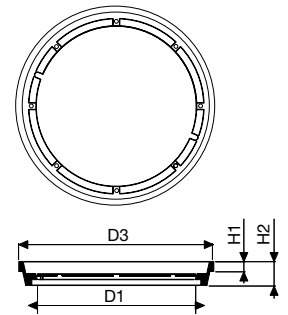
Type	R	Weight	Weight	Model
	mm	punch guide	axle	
		kg	kg	
001	361	4.50	4.1	00

- Notes:
- Tool that allows the precise punching out of the surface layer around a PISO cover
 - Suitable for PISO manhole covers: Fig. 2617, 2619, 2717, 2719, 2917

Figure 3285

AURA add-on frame (old version)

for manhole covers
 add-on frame with elastomer insert,
 for the adjustment of manhole cover height,
 incl. screw connections, seats machined



Type	D1 mm	D3 mm	H1 mm	H2 mm	Weight kg	Model
003	610	750	30	75	26	00 02
004	610	750	40	85	33	00 02
005	610	750	50	95	47	00 02

Model definition: 00 Without cover screw connections
 02 With cover screw connections

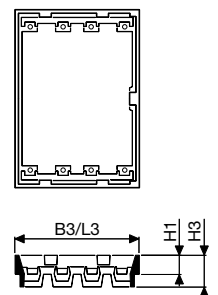
Notes:

- H1 = compensation height
- Suitable for:
 - Full cast iron cover Fig. 2626, 2627, 2675
 - Cast iron/concrete cover Fig. 2725, 2727, 2729, 2775

Figure 3290

AURA add-on frame (old version)

for gratings
 add-on frame for the adjustment of grating height,
 with elastomer insert, incl. screw connections



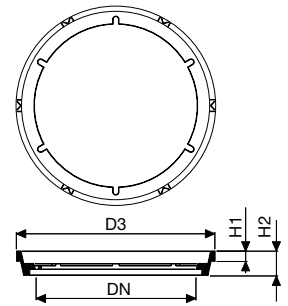
Type	H1 mm	B3 mm	L3 mm	H3 mm	Weight kg	Model
004	40	400	550	75	16	00
005	50	400	550	85	17	00

Notes:

- H1 = compensation height
- Suitable for grating fig. 2930

Figure 3300
NORMROLL-AURA add-on frame

for manhole covers
add-on frame with elastomer insert,
for the adjustment of NORMROLL manhole cover
height (system AURA), incl. screw connections,
seats machined



Type	DN	D3	H1	H2	Weight	Model
	mm	mm	mm	mm	kg	
003	600	720	30	70	24	00 02 07

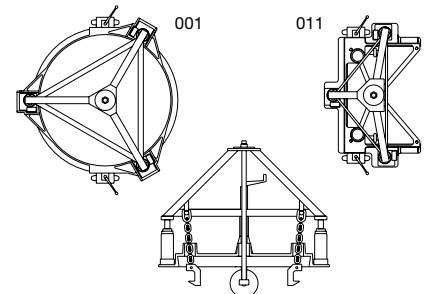
Model definition: 00 Without cover screw connections
02 With cover screw connections
07 With cover screw connections, water-tight, odour tight, for internal pressure

Notes:

- H1 = compensation height
- Before installation, the elastomer insert of the base frame must be removed and the groove cleaned
- Suitable for manhole covers, fig. 2645, 2646, 2647, 2650, 2651, 2745, 2750, 2751

Figure 3330
NIVROLL lifting appliance

for manhole covers
for gratings
lifting appliance, for punching out the surface layer
and for adjusting the height and inclination of
NIVROLL manhole covers and road gratings



Type	Weight	Model
	kg	
001	120	00
011	85	00

Notes:

- Suitable for:
Type 001 manhole covers: Fig. 2632, 2633, 2732, 2733
Type 011 gratings: Fig. 2932, 2933, 2934, 2937, 2938, 2939, 2943, 2944, 2947

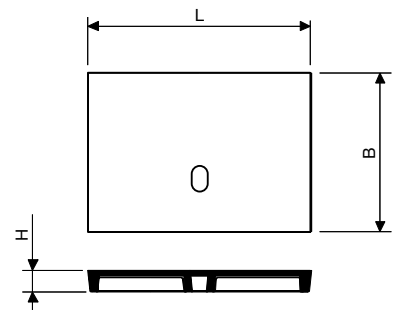
Instructions: - For explanations see 'Applications' chapter

Accessory: - For type 001: Fig. 3280-060; tube shuttering
For type 011: Fig. 3280-011; tube shuttering

Figure 3333

NIVROLL temporary cover

for SIBLOC gratings fig. 2933
 cast iron cover for lifting out



Type	B mm	L mm	H mm	Weight kg	Model
001	370	520	49	34	00

- Notes: - Cast iron cover replaces grating 2933 during fitting work
- Instructions: - For explanations see 'Applications' chapter

Auxiliary material

Article no.	Description	Brand/Model	Application	Package/Size
95634	Sealing grease	Shell Rhodina SD 2	ROLLMATIC, ROLLTRANSIT	1 kg can
913084	Casting resin for manhole frames	COVERPLAST 2-component	PISO, NIVROLL	1,03 kg can
913142	Mortar for pouring	ADDIMENT manhole concrete	PISO, NIVROLL	12 kg bucket
867017	Foam plastic sheath	Tubolit tubing	PISO levelling screw (Protective sleeve)	2 m